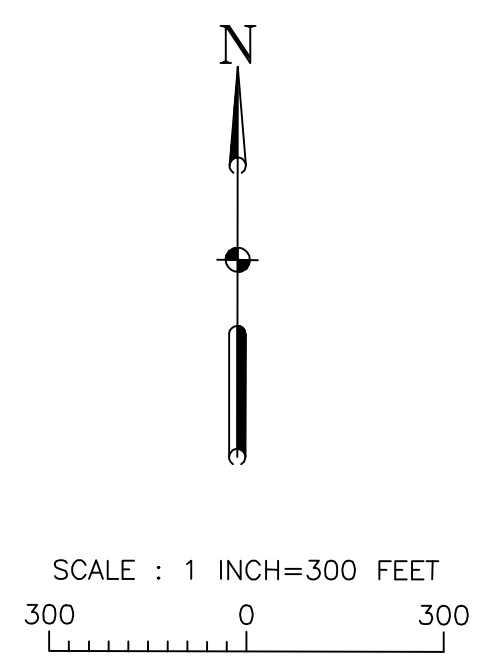


EXCAVATION SURVEY CONTROL POINTS		
NO.	NORTHING	EASTING
①	6861.0	11980.0
②	7309.0	14136.0
③	7414.0	14185.0
④	7928.0	13856.0
⑤	7857.0	13739.0
⑥	7715.0	13658.0
⑦	7686.0	13483.0
⑧	7755.0	13372.0
⑨	8012.0	13240.0
⑩	7991.0	13216.0
⑪	8074.0	13068.0
⑫	8128.0	13053.0
⑬	8230.0	13308.0
⑭	8269.0	13353.0
⑮	8167.0	13392.0
⑯	8209.0	13426.0
⑰	8247.0	13720.0
⑱	8497.0	13598.0
⑲	8636.0	13894.0
⑳	9574.0	15756.0
㉑	11016.0	15106.0
㉒	10102.0	13223.0
㉓	9951.0	12904.0
㉔	9837.0	12859.0



NOT FOR CONSTRUCTION

REV	DESCRIPTION OF REVISION	BY	DATE

Woodward-Clyde Consultants Engineering & sciences applied to the earth & its environment 410 N. 44th St., Suite 350 Phoenix, AZ 85008	WARNING IF THIS BAR DOES NOT MEASURE 1" THEN DRAWING IS NOT TO SCALE	DESIGNED SM DRAWN EG CHECKED BH PEER REVIEWED LH PROJECT MANAGER DM DATE 4/24/98	CINDER LAKE LANDFILL Flagstaff, Arizona EXCAVATION PLAN	REVISION PROJECT 934X246A DRAWING 3
--	---	---	--	---

0:\934X246A\CIN6003.DWG